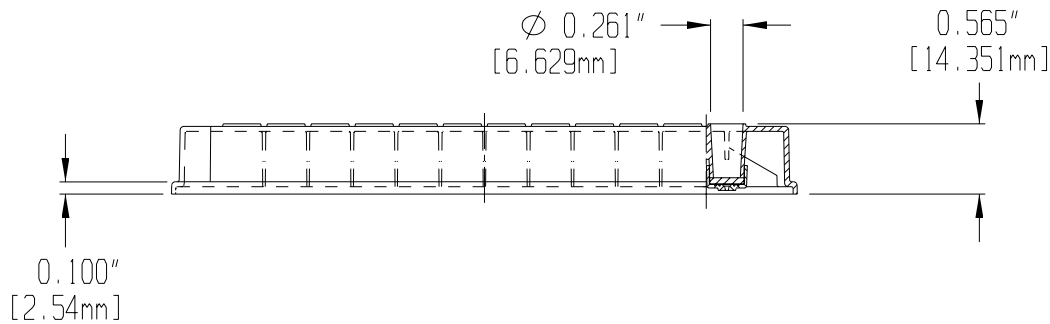
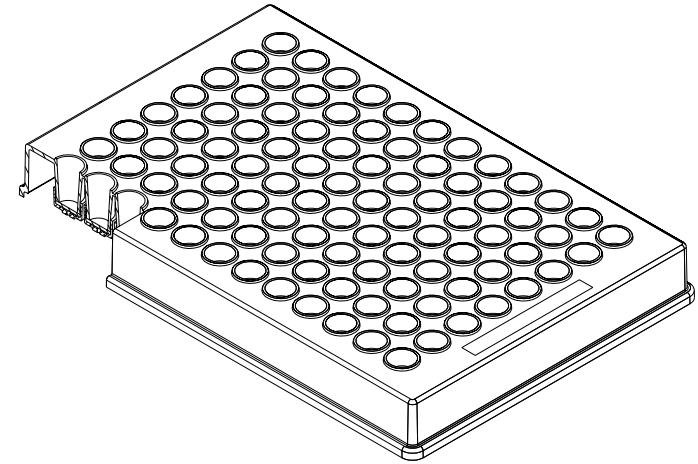
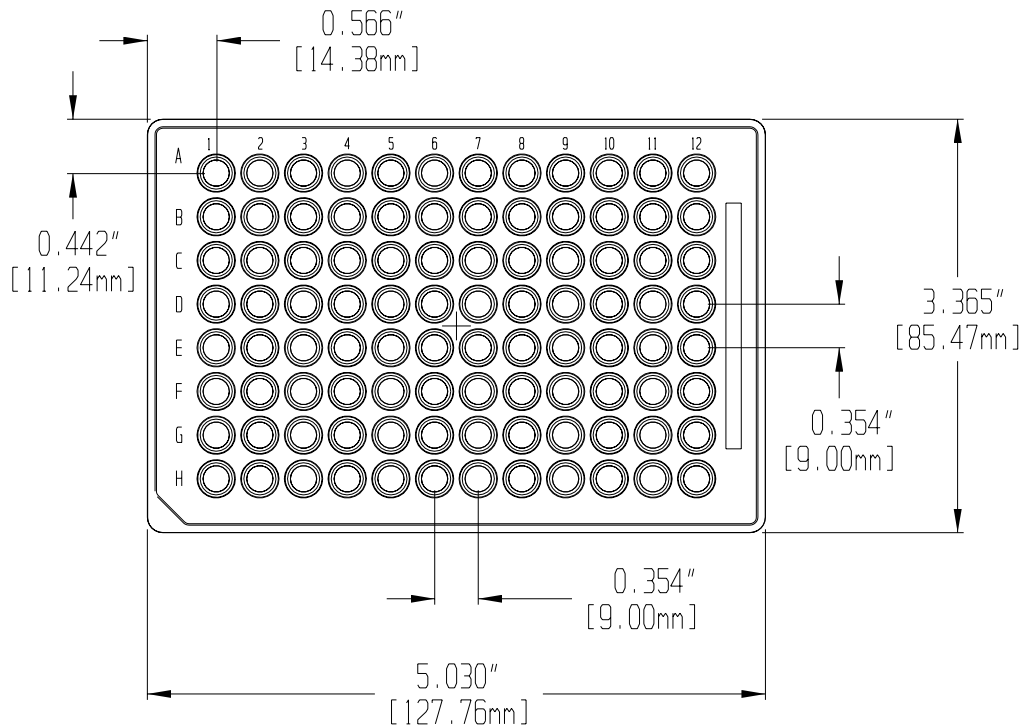


REV.	ECO NO.	DESCRIPTION
A	000023	RELEASE TO PRODUCTION.



NOTES:

1. MAX VOLUME PER WELL: 300 μ l
2. SURFACE AREA OF FILTER: 22.96 mm^2

CATALOG NO.	FILTER
F20044	UHMW PE 25 μ m
F20045	GLASS FIBER 1.2 μ m
F20046	PVDF 0.45 μ m
F20047	PP 0.45 μ m
F20049	GLASS FIBER 1.0 μ m
F20050	GLASS FIBER 0.7 μ m
F20063	PVDF 0.2 μ m PHILIC
F20067	PP 0.45 PHILIC

INNOVATIVE
CUSTOM **MICROPLATE**
MICROPLATES

1998 WESTOVER RD.
CHICOPEE, MA 01022
TEL. (413) 593-5300
FAX (413) 593-5900

© 2001
CONFIDENTIAL
TRADE SECRETS
PATENTS ISSUED
AND PENDING
DO NOT COPY
OR DISCLOSE
WITHOUT WRITTEN
PERMISSION OF
INNOVATIVE MICROPLATE

TOLERANCES UNLESS
OTHERWISE SPECIFIED
XX \pm .03
XXX \pm .015
XXXX \pm .0005
FRACTION: \pm 1/64
ANGULAR: \pm 0°15'
RADIUS 0.015" UNLESS
OTHERWISE SPECIFIED
BREAK ALL SHARP EDGES

MATERIAL: RESPPCP
NATURAL POLYPROPYLENE
CONCENTRATE:
DATE: 02/20/02
DRAWN BY: YELENA SUKONIK

PRT NAME:
96 WELL, FILTER PLATE, 300 μ L, SHORT DRIP
CATALOG NO.: SEE ABOVE
APPR BY: **PRT SIZE:** A
SCALE: NTS
SHEET 1 OF 1
REV. A